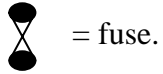


JG3 3 Phase KWh Meters - Current Transformer Operated

Wiring Diagram



= fuse.

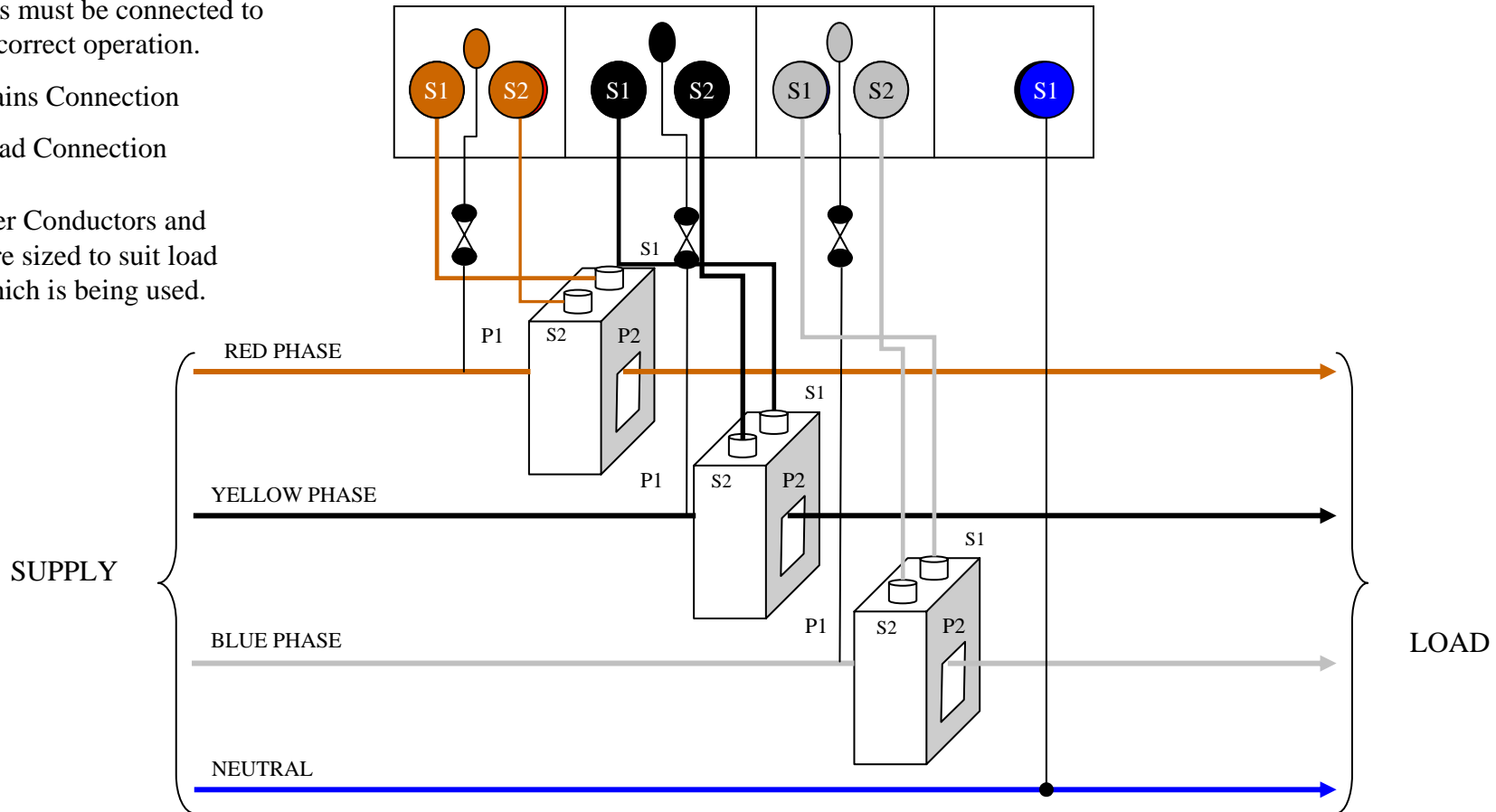
Fuse must be 5 or 6 Amp fuse (And placed before the CT)

Neutrals must be connected to enable correct operation.

S1= Mains Connection

S2= Load Connection

All other Conductors and fuses are sized to suit load type which is being used.



www.meters.co.uk