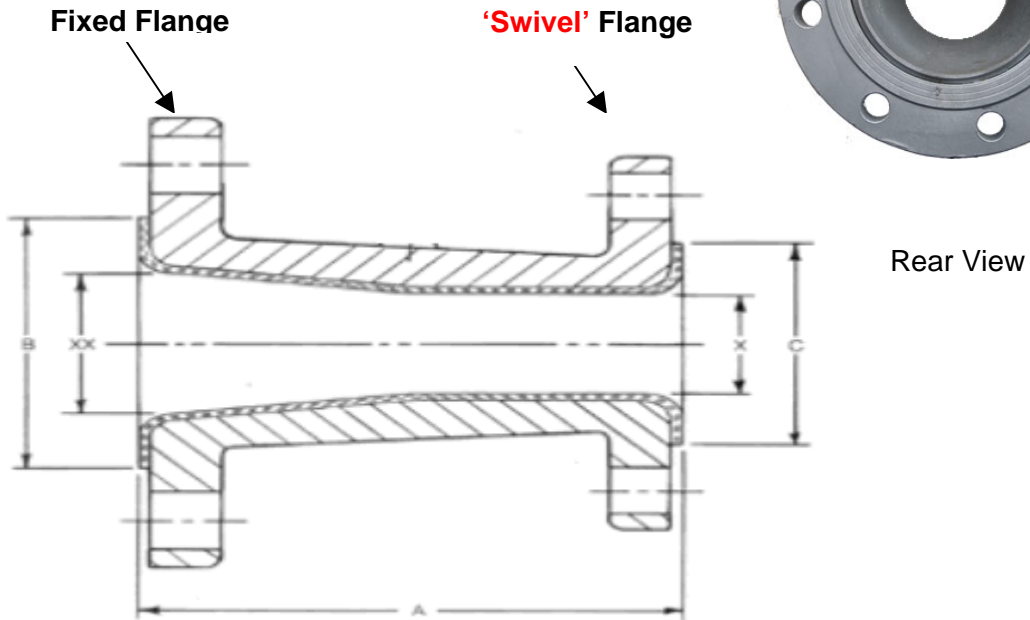




## Concentric Reducers

**Minimise Pressure Loss With A Perfect 'Cone'**

- Flanged PN16 Pipe Reducers
- Material 16mm Anodised Carbon Steel
- Fixed Flange & 1 Swivel 'easy fit' Flange



DN	Nom. Size(mm)		A(mm)	B(mm)	C(mm)	weight/kg
	XX	X				
8" – 6"	208	158	162	224	158	22.00
6" - 4"	158	104	141	168	114	12.55
5" - 4"	132	104	122	138	114	11.32
4" - 3"	104	80	109	114	89	8.21
3" - 2"	80	68	97	89	76	6.7
2 1/2" - 2	68	53	90	76	60	5.58