



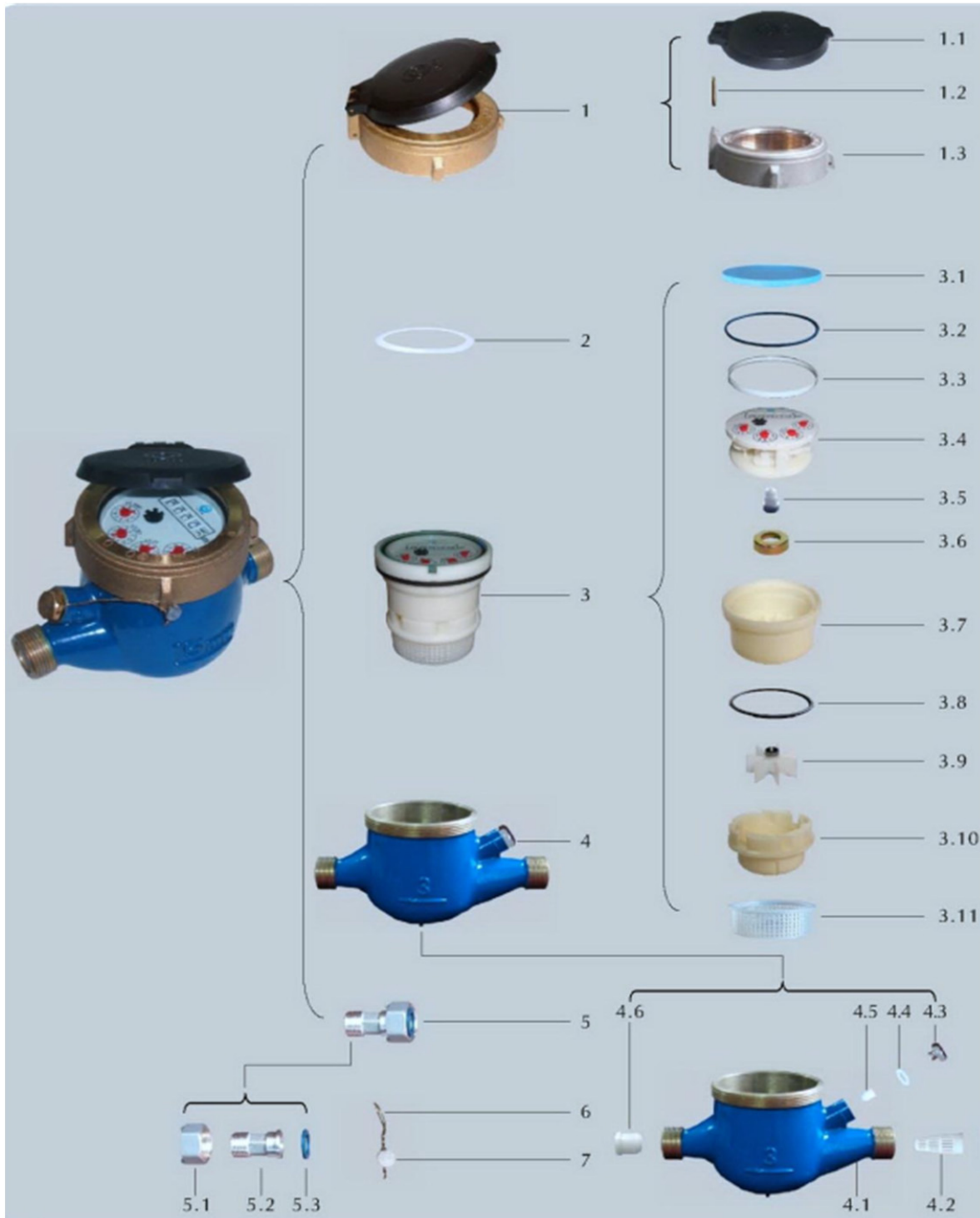
# meters uk Ltd™

Utility Meter Manufacturers

*A Low Carbon Accredited Company*

**ELECTRICITY – GAS – HEAT – WATER METERS**

Exploded View



www.meters.co.uk



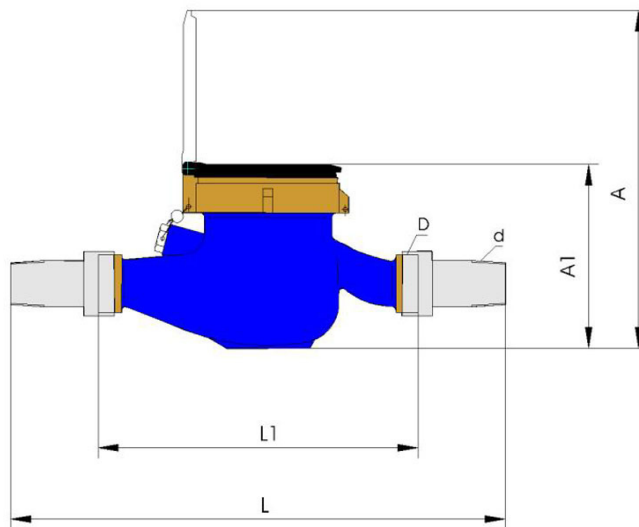
# meters uk Ltd™

Utility Meter Manufacturers

A Low Carbon Accredited Company

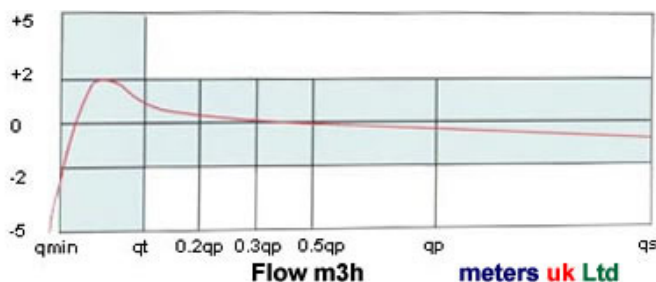
**ELECTRICITY – GAS – HEAT – WATER METERS**

## Sizes



Size	DN15	DN20	DN25	DN32	DN40	DN50
L	165	190	260	260	300	300
L <sub>1</sub>	259	294	380	384	431	448
D	G3/4B	G1B	G1.1/4B	G1.1/2B	G2B	G2.1/2B
d	R1/2	R3/4	R1	R1.1/4	R1.1/2	R2
H	107.5	107.5	117.5	117.5	141.5	177
H <sub>1</sub>	191	191	206.5	206.5	256.5	292
W	94	94	98	98	122	145

## Error Curve



www.meters.co.uk

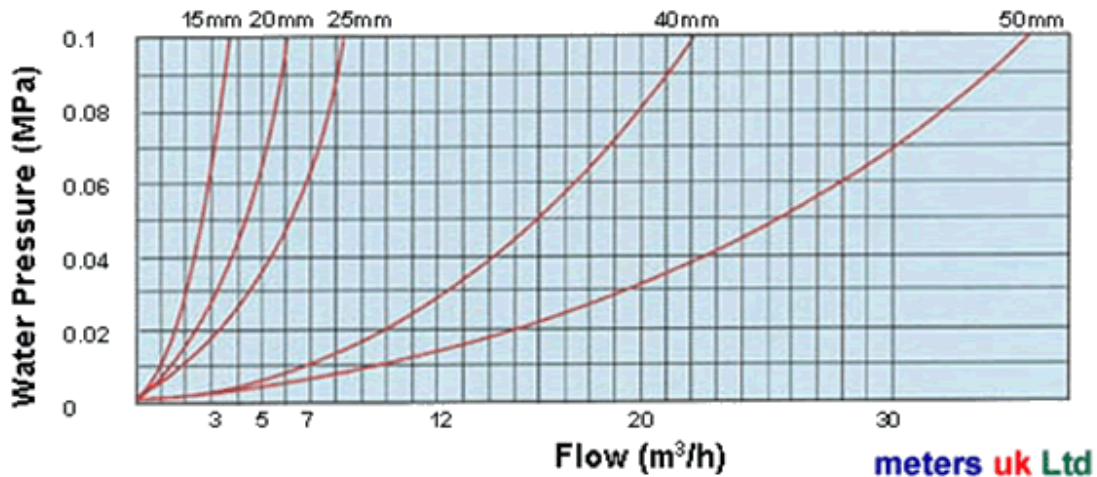
# meters uk Ltd™

Utility Meter Manufacturers

A Low Carbon Accredited Company

**ELECTRICITY – GAS – HEAT – WATER METERS**

## Head Loss Curve



## Pulsed Output Data

- ✓ Historically highly reliable
- ✓ Located for ease of installation on top meter

Anti magnetic volt free contact – (Reed Switch)

Temperature Range – Flexing -5c to +50c

Temperature Range – Static -20c to +70c

Bending Radius 10x Cable Diameter

Electrical Characteristics

Cross Section 24//0.22 AWG/mm2

Insulation Resistance 20 (min) Mohm km

Pulsed Output from TOMi is Volt Free

3 wires

Blue = common

Black = Pulse 1 (-) To the - pulse input terminals of your equipment

Red = Pulse 2 (+) To the + pulse input terminal of your equipment

Maximum Voltage that can be introduced = 12vdc



## Pulse Value – K Factor

Size	Litres Per Pulse (As standard)	Litres Per Pulse Other Optional Pulse Values Available
15,20,25mm	1	10 - 100
30,40 mm	10	1 - 100
50mm	100	1 - 10 - 1000

www.meters.co.uk



# meters uk Ltd™

Utility Meter Manufacturers

*A Low Carbon Accredited Company*

**ELECTRICITY – GAS – HEAT – WATER METERS**

## Extended/Longer Pulse Cable(s)

Meter sited more than 1.5metres away from connection point (standard length of pulse cable)  
Jointed cables can induce problems – electrical noise and interference.

Complete Pulse Cables are available in the following lengths

Order Code

302005	5 metres
302010	10 metres
302020	20 metres
302050	50 metres

### Cable Specification

Cable structure specifically designed for low voltage drop

Polarity Line Indicator

CSA 0.22mm<sup>3</sup>

Strands 2x7/0.2 mm

Current 1.0A max

Cable Dimension 2.0x4.0mm



## Thermal Jackets

Suitable For : Heating Circuits & External Potable Water

### Specification Details

Inner & Outer Cloth – PE Poly Cloth Weight 400g/m<sup>3</sup>

Infill – 25mm thick cellular Insulation U value W/m<sup>2</sup>K

Fixings & Fastenings – Velcro Hook & Loop Flaps with draw cords

Temperature Range -40c to 110c



www.meters.co.uk