

meters uk Ltd

Utility Meter Manufacturers

ELECTRICITY – GAS – HEAT – WATER METERS

CALIBRATED INSTRUMENT

BOBi

Pulse Output Diaphragm Gas Meter



INSTALLATION INSTRUCTIONS



Authorised User No. 00475

meters uk Ltd

Utility Meter Manufacturers

Whitegate, White Lund Trading Estate, Lancaster,
Lancashire, England, LA3 3BT

Tel +44 1524 555929 Fax + 44 1524 847009

e mail sales@metrics.co.uk



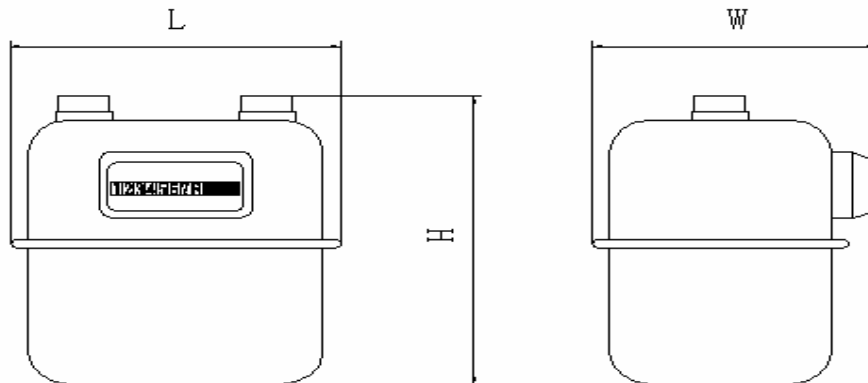
Certificate No. 2030

www.metrics.co.uk

meters uk Ltd

Utility Meter Manufacturers

Item	Unit	G4	G6	G10	G16	G25
Nominal Flow Rate	m3h	4	6	10	16	25
Qmax	m3h	6	10	16	25	40
Qmin	m3h	0.04	0.06	0.1	0.16	0.25
Qmax Operating Pressure	kPa	10	10	10	10	10
Permissible Error	B Grade Qmin < Q 0.1 Qmax +/- 3% 0.1Qmax < Qmax +/- 1.5%					
Total Pressure Loss	Pa	Qmax < 200		Qmax < 300		
Operating Ambient Temperature	C	0 ~ 40				
Signal Output	On – Off Signal					
Signal equivalence	m3	0.1				
Signal Width	ms	>360				
Operating Voltage	V	5 - 12v				
Permission Circuit	mA	<10				
Specification Of The Line Output		AVVR2 x 0.12				
Length Of Wire	mm	1000			15000	
Size - Length	mm	205	250	395	395	510
Size – Width	mm	159	205	320	320	320
Size – Height	mm	219	285	442	442	520
Pipe Centres	mm	130	160	250	250	335
Net Weight	kg	1.9	2.2	10.5	10.5	15.5
Coupling *	mm	30.0	45.8	56.8	56.8	76.8
Pipe Size *	mm/bsp	15 / 1/2"	25 / 1"	30 / 1.1/4"	40 / 1.1/2"	50 / 2"
Coupling Thread	Type	11 dens/inch	11 dens/inch	11 dens/inch	11 dens/inch	11 dens/inch
Cover	Aluminum					
Order Code		GD4PS	GD6PS	GD10PS	GD16PS	GD25PS
* Internal Diameters – Coupling is the nut fitting on top of the meter Pipe Size Is the size of the pipe from to coupling to be joined into the gas pipe						



Authorised User No. 00475

meters uk Ltd

Utility Meter Manufacturers

Whitegate, White Lund Trading Estate, Lancaster,
Lancashire, England, LA3 3BT

Tel +44 1524 555929 Fax + 44 1524 847009

e mail sales@meters.co.uk



Certificate No. 2030

www.meters.co.uk

meters uk Ltd

Utility Meter Manufacturers

GENERAL

Long distance pulse output diaphragm gas meter, using highest quality materials, Use for measurement of Coal Gas, LPG, Natural Gas, Marsh Gas, Air as well as other non-corrosive gases. In addition to common measuring function, it can also convert gas consumption into on-off signals to realize long distance meter reading function. G4PS is in compliance with EN1359, while G6/G25PS is in compliance with OIML R31. It is an ideal gas measurement instrument for residential/smaller commercial users.

One of the significant structures of all our gas meter is that the mechanical register cannot be adjusted without damage it.

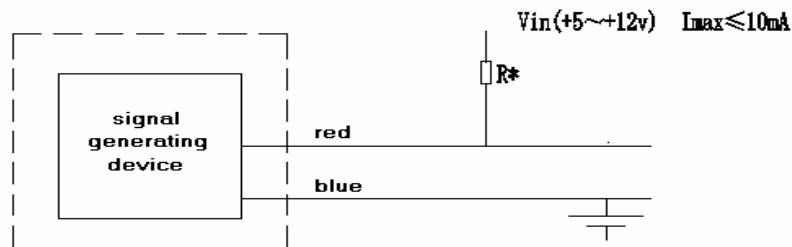
I. INSTALLATION REQUIREMENT

1. Read the instruction manual carefully before installation.
2. Installation should be in compliance with current regulations, and should only be installed by a qualified installer.
3. Installation should be **upright ONLY** Upside down, side lay or vibration is forbidden, otherwise it will influence its performance.
4. Connection of input and output tube should be in the same direction showed on the top of the meter.
5. After installation, it is a must to carry out a leakage check. The maximum pressure cannot exceed 1.5 times of maximum working pressure of the gas meter. Leakage check by naked flame is prohibited. Leakage check by charging inflammable, explosive hazard or toxic and harmfulness gas is also forbidden.
6. Gas meter can be interfaced with data collection systems; the signal wire should be connected according to connection diagram. There should be a non-removable lead seal on the connection box so that one cannot remove it without damaging.

II. WIRE CONNECTION DIAGRAM (SIGNAL GENERATING DEVICE)

Please pay attention to the following points during installation of wire:

1. Please connect according to the following wire connection diagram, any wrong connection will lead to the damage of signal generating device.
2. For G4PS and G6PS voltage of terminal V_{in} cannot exceed +12V.



Authorised User No. 00475

meters uk Ltd

Utility Meter Manufacturers

Whitegate, White Lund Trading Estate, Lancaster,
Lancashire, England, LA3 3BT

Tel +44 1524 555929 Fax + 44 1524 847009

e mail sales@meters.co.uk



Certificate No. 2030

www.meters.co.uk

meters uk Ltd

Utility Meter Manufacturers

III. OPERATION AND MAINTENANCE

1. Read the instruction manual carefully before operation. Check whether connection of input and output of gas pipe to the source and equipment is in the same direction with arrow showed on the top of the meter.
2. The air in the pipe and meter should be completely evacuated before lighting up. Otherwise it might cause explosion or detonation.
3. Any inflammable or explosive object is not allowed to put around the gas meter.
4. Indication value is on the basis of decade, minimum scale 0.0002m^3 , while the maximum 99999m^3 .
5. In case of leakage, one should turn off the valve immediately, open the window and door, and meanwhile inform utility department(s) to repair. Leakage check by naked flame is strictly forbidden.
6. Voltage cannot exceed +12V when connect to external power supply. If voltage exceeds +12V, it will lead to the damage of sensor in the signal-generating device.

IV. AFTER-SALE SERVICE

1. Warranty period 12 months from delivery date. On a return to base basis only
2. Guarantee is void when damaged is caused by incorrect installation or misuse
3. No liability can be accepted for consequential loss
4. All dispatches, guarantees and returns are strictly subject to the company policy

www.meters.co.uk/policy.htm

NEED REMOTE READING ACCESS TO METERS !!!

Remote Counter Unit

**PROVIDES EASY ACCESS TO READING FOR ALL TYPES OF
UTILITY METERS – Electricity, Gas, Heat & Water etc**

- ✓ **1 & 6 way versions**
- ✓ **Easy programming – (two buttons on front)**
- ✓ **kWh/m³/lph or Monetary Read Outs (£ \$ E)**
- ✓ **Manufactured to ISOEN 8859-2**
- ✓ **Simple User Friendly Readout**
- ✓ **230/24 volts**
- ✓ **Pulse Output – (Open collector –with grab circuit)**
- ✓ **Zero Display Option (Resettable Display)**

Reference www.meters.co.uk/rcu.htm



Authorised User No. 00475

meters uk Ltd

Utility Meter Manufacturers

Whitegate, White Lund Trading Estate, Lancaster,
Lancashire, England, LA3 3BT

Tel +44 1524 555929 Fax + 44 1524 847009

e mail sales@meters.co.uk



Certificate No. 2030

www.meters.co.uk